

- Back**
- o PushPull Power
 - o Flat Cable Connectors SEK
 - o *har-mik®*
 - o D-Sub
 - o InduCom

● **Applications**

Product details

09 06 215 2811 Backplane connector

Type	Type H
Standard/Inverse	Standard
Contact gender	Female contacts
Size	Whole size
Number of contacts	15 poles
Contact arrangement	Rows z and d
Termination	Faston
Performance Class	Performance level 1 as per IEC 60603-2
Contacts	with contacts
Current	15 A max.
Clearance/ Creepage	4,5 / 8,0 mm min.
RoHS compliant	Yes

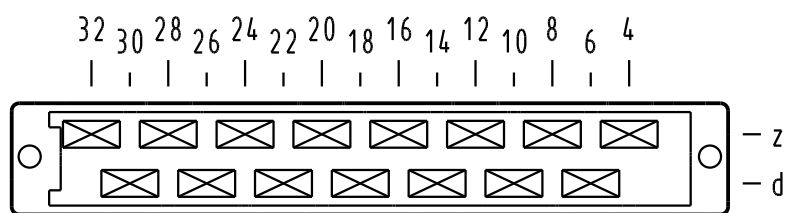
Inquiry

Available Downloads

Title	Format
-------	--------

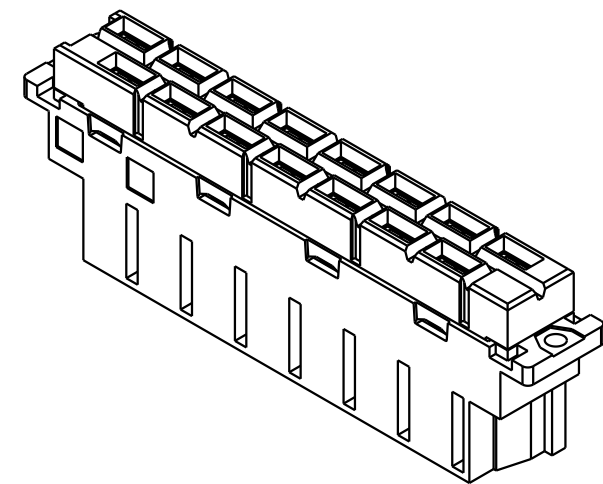
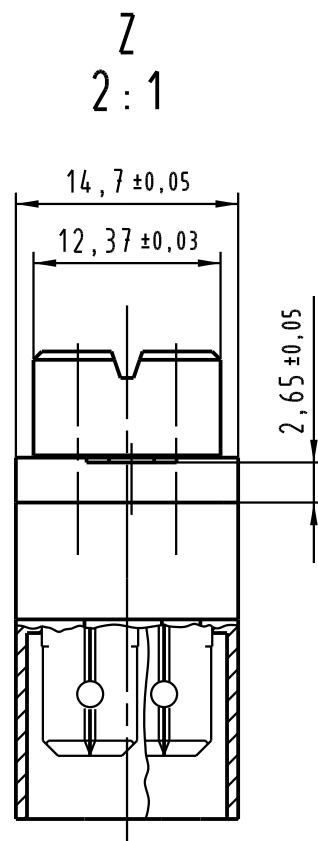
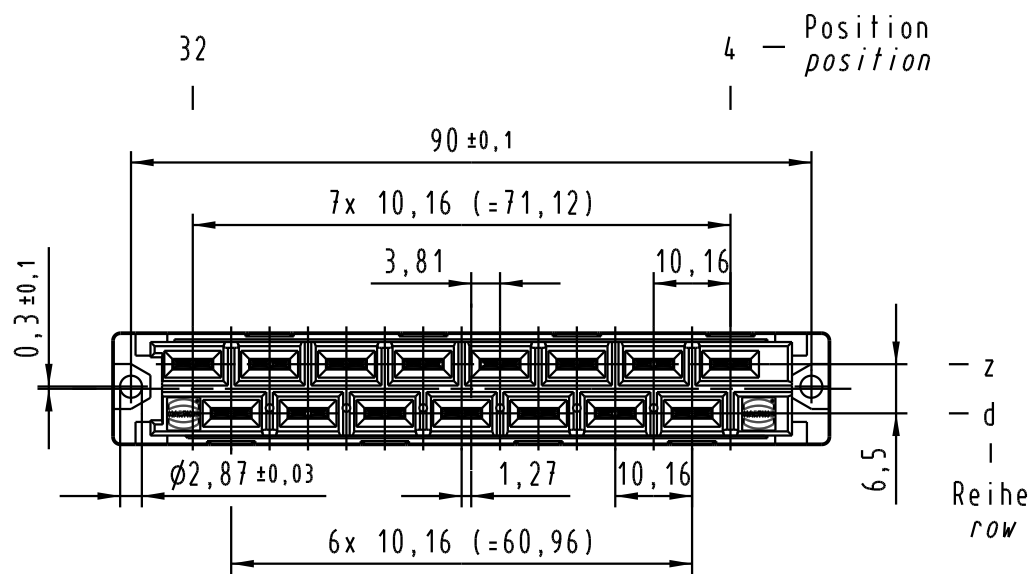
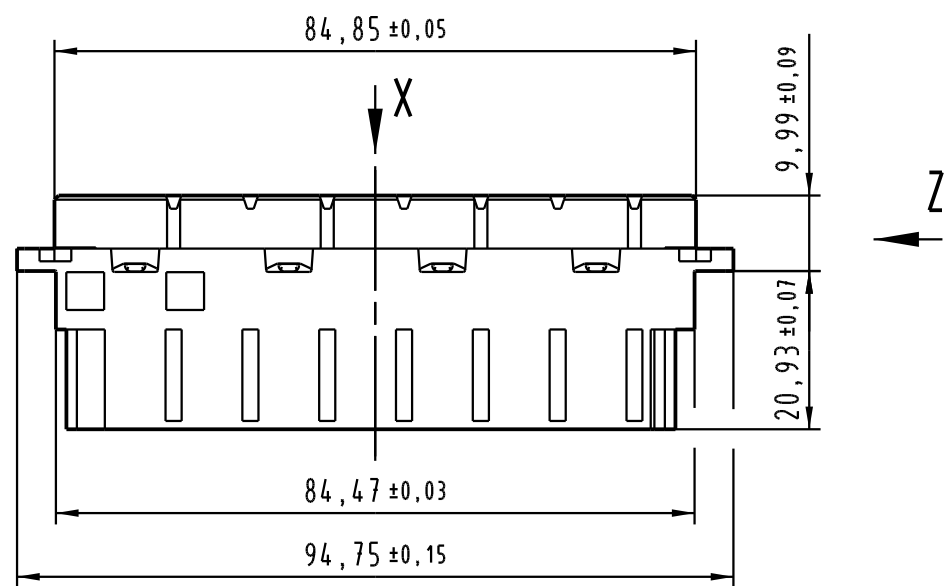
Alle Rechte vorbehalten. All rights reserved

X Kontaktanordnung/ *contact arrangement*



15 Kontakte
15 contacts

- = Kontaktposition belegt
= position with contact
- = Kontaktposition nicht belegt
= position without contact



Kontaktfläche Ag
contact surface Ag

All Dimensions in mm Original Size DIN A 3			Techn. Character. IEC 60603-2			Nicht tolerierte Maß/Free size tolerances IEC 60603-2		
			Dat. Name		Maßstab/Scale		Bauform/type H 15 Federleiste Faston quer female connector faston across	
			Detail. 25.11.04 Leh.		1:1			
			Insp. 25.11.04 kfoe		2:1			
			Stand.					
33602 08.05.06 Leh.			HARTING Electronics GmbH & Co. KG				TB 09 06 215 2811	
32646 10.05.05 Leh.			D-32339 ESPELKAMP				Blatt/page	
32416							Sub.MB 09 06 215 2811 Mod.11444 v.22.03.91	
Mod. Dat. Name								